



• ED9238M Series.

DC Brushless fan.

Size: 92x92x38mm

3.6 x 1.5 inches

Airflow: Max. 82 CFM / 2.3 m³/min

Metal Frame / Metal Impeller

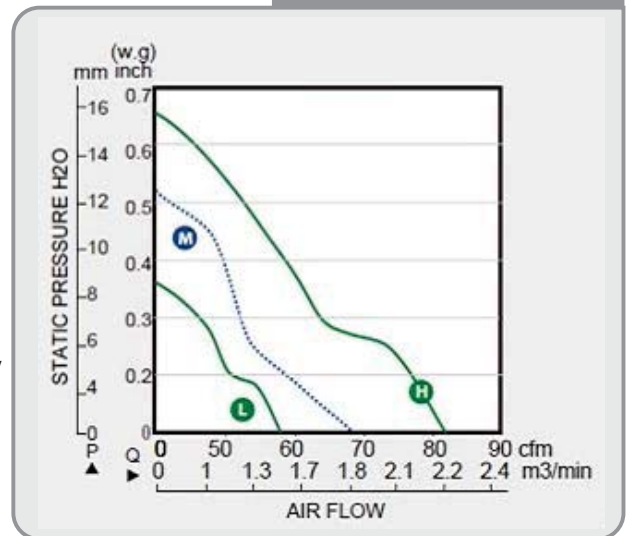
Model No.	Rated Voltage	Voltage Range	Input Power	Rated Current	Ref Speed	Max. Airflow		Max. Static Pressure		Noise Level	PQ Curves
	VDC	VDC	Watt	Amp	RPM	CFM	m ³ /min	Inch/H ₂ O	mm/H ₂ O	dB (A)	
ED9238M-12H**	12	8~13	8	0.67	5000	82	2.3	0.65	16.51	49	H
ED9238M-12M**	12	8~13	6	0.5	4200	69	2	0.52	13.21	45	M
ED9238M-12L**	12	8~13	4	0.33	3500	58	1.6	0.36	9.14	33	L
ED9238M-24H**	24	15~26	8	0.33	5000	82	2.3	0.65	16.51	49	H
ED9238M-24M**	24	15~27	6	0.25	4200	69	2	0.52	13.21	45	M
ED9238M-24L**	24	15~28	4	0.16	3500	58	1.6	0.36	9.14	33	L
ED9238M-48H**	48	28~53	8	0.16	5000	82	2.3	0.65	16.51	49	H
ED9238M-48M**	48	28~56	6	0.13	4200	69	2	0.52	13.21	45	M
ED9238M-48L**	48	28~56	4	0.08	3500	58	1.6	0.36	9.14	33	L

** = "BL" for Ball bearing wire lead type, or "BT" for Ball bearing terminal type.

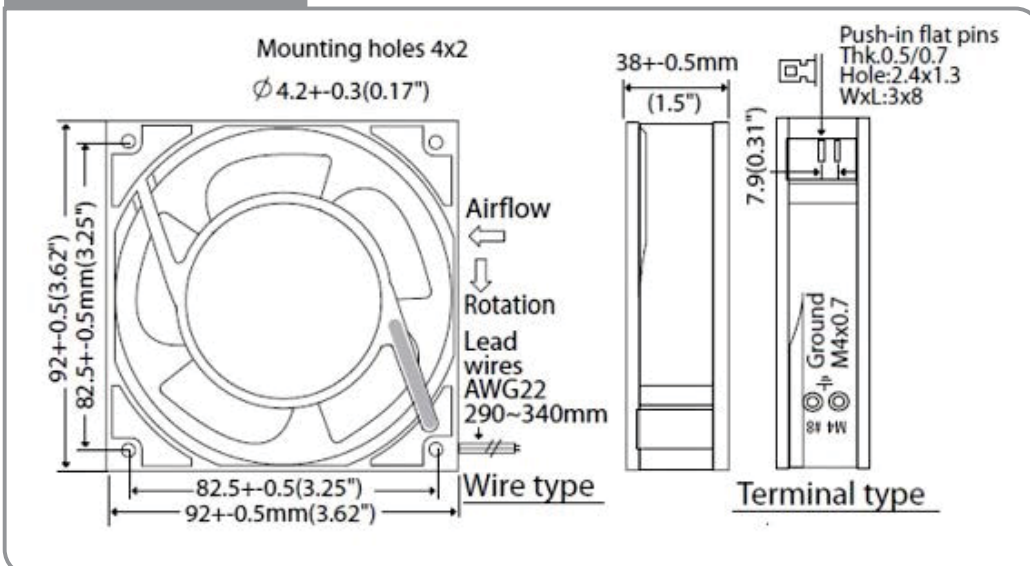
We Reserve the right to change data and improve electrical & mechanical design without notice, data tolerance +/- 10%

Motor Type:	Microprocessor brushless DC Motor, auto cutoff, auto restart
Burnout Protection:	Electronically protected, polarity protected
IP Protection:	IP55 , 56 Optional request
Mechanical	
Frame:	Aluminum die cast, Natural coating treatment
Impeller:	5 blades, all metal
Bearing:	Two ball bearings
Rotation:	CCW at left (L) seen on rotor
Connection:	Wire lead or terminal flat pin connecting
Weight:	-
Electronical	
Dielectric Strength:	500 VAC/min. Max leakage 500mA
Speed Control:	Optional:PWM, S/C NTC thermister,0~10V control voltage S/V
Signal Output:	Optional:R/D alarm output, tachometer output F/G
Environment	
Operating Temp:	-20°C~+65°C
Storage Temp:	-25°C~+75°C (at 65%RH)
Life Expectancy:	L10 40K hours at 65°C

► Performance P-Q Curves.



► Outline Dimensions.



Fan Accessories

